



The strongest around.™

CT-5

MANUAL CABLE TIE FASTENING TOOL

- Preset tension adjustment control for uniform tension setting and automatic cut-off for each bundle.
- Lightweight metal/aluminum frame, which allows one-handed operation.
- Warranty Available (product registration required)



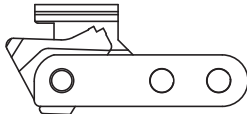
CT-5NOSE



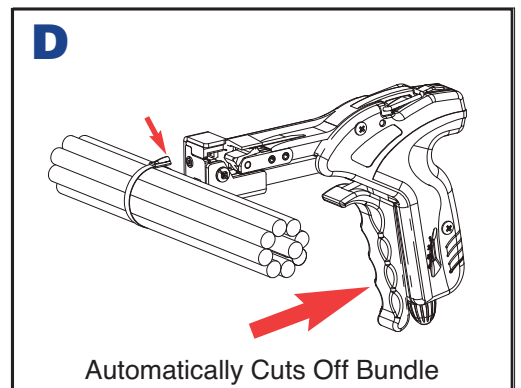
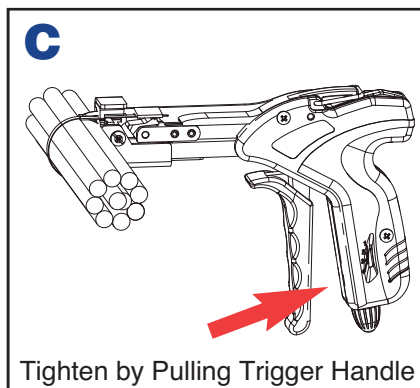
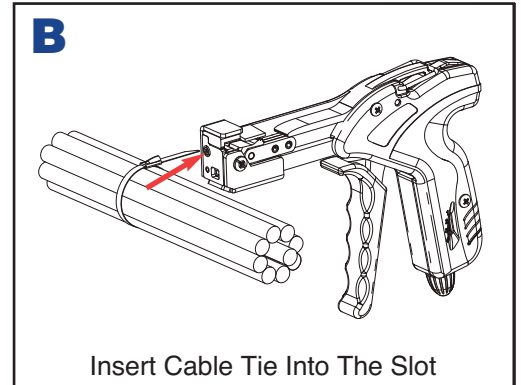
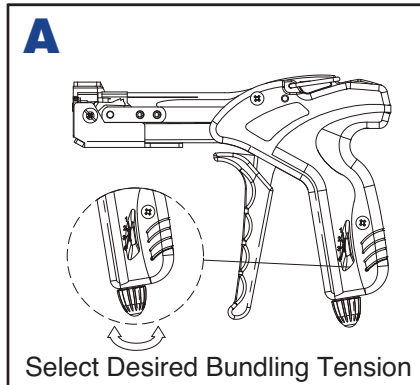
CT-5BLADE



CT-5TEETH



HOW TO OPERATE



Hayata Part No.	Description
CT-5	For cable tie size width up to 7.9mm, thickness up to 0.3mm
CT-5NOSE	Nose Plate
CT-5BLADE	Blade
CT-5TEETH	Ratchet Set

To Order: US Toll Free: 877-785-8437 • www.Hayata.com • sales@Hayata.com