

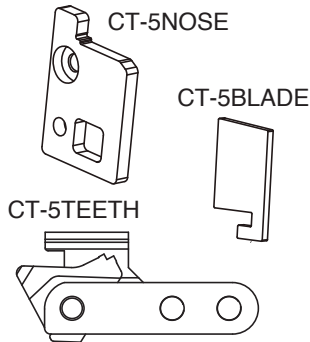


The strongest around.™

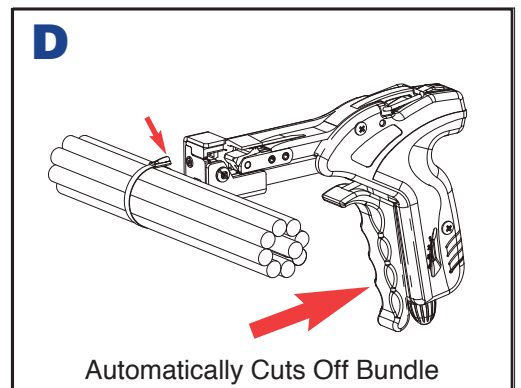
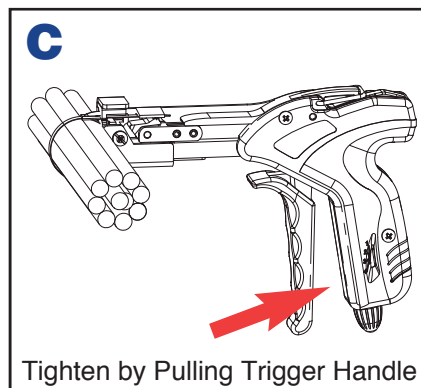
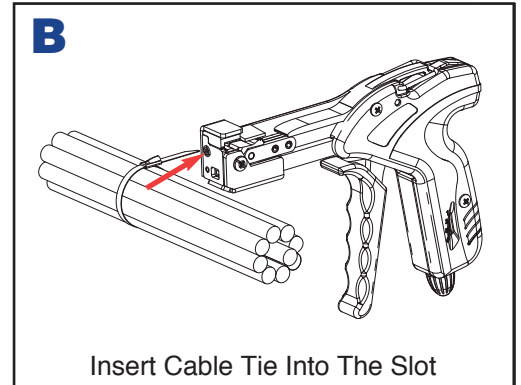
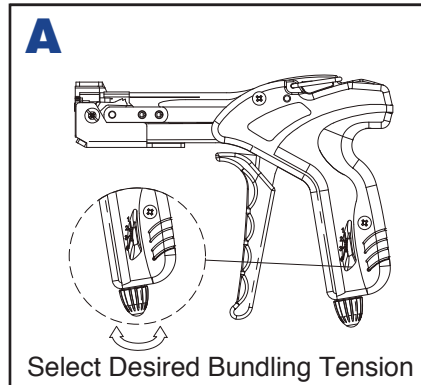
CT-5

MANUAL CABLE TIE FASTENING TOOL

- Preset tension adjustment control for uniform tension setting and automatic cut-off of each bundle
- Lightweight metal/aluminum frame, which allows one-handed operation
- Includes extra blade
- Warranty Available (product registration required)



HOW TO OPERATE



Hayata Part No.	Description
CT-5	For cable tie size width up to 7.9mm, thickness up to 0.3mm
CT-5NOSE	Nose Plate
CT-5BLADE	Blade
CT-5TEETH	Ratchet Set

To Order: US Toll Free: 833-862-1668 • www.Hayata.com • sales@Hayata.com